

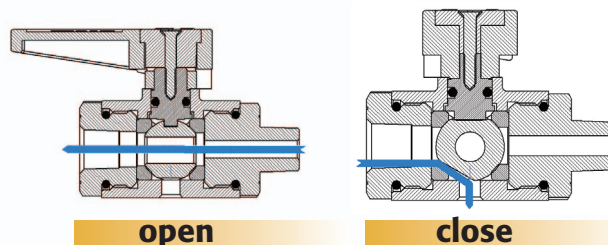
Sagiv control ball valves

S.M. Models

Valve with air/liquid release aperture.

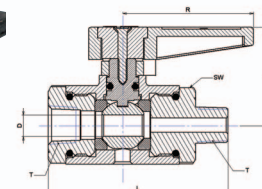
- Threads: F/F or F/M
- Diameters: 1/8", 3/8", 1/2"
- Applications: At entry to pressure gauges:

When the valve is open reading of meter is permitted. When the valve is closed the air/liquid is released and the gauge is depressurized.



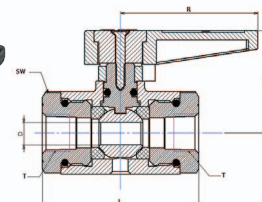
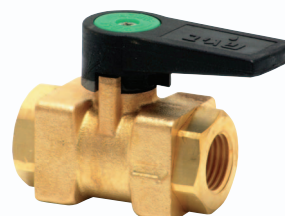
S.M.A.

T Thread	D DIA	SW HEX	L	H	R	Catalog Number BSP	Catalog Number NPT
1/8"	4.0	20	55.6	27.3	36.5	1MAH02000	1MAH02100
1/4"	6.0	20	66.2	27.3	36.5	1MAH04000	1MAH04100
3/8"	6.0	20	61.2	27.3	36.5	1MAH06000	1MAH06100
1/2"	6.0	20	59.2	27.3	36.5	1MAH08000	1MAH08100



S.M.N.

T Thread	D DIA	SW HEX	L	H	R	Catalog Number BSP	Catalog Number NPT
1/8"	4.0	20	41.2	27.3	36.5	1MNH02000	1MNH02100
1/4"	6.0	20	43.0	27.3	36.5	1MNH04000	1MNH04100
3/8"	6.0	20	58.0	27.3	36.5	1MNH06000	1MNH06100
1/2"	6.0	20	73.2	27.3	36.5	1MNH08000	1MNH08100



S.Y. Model

S.Y. Multidirectional Control valve

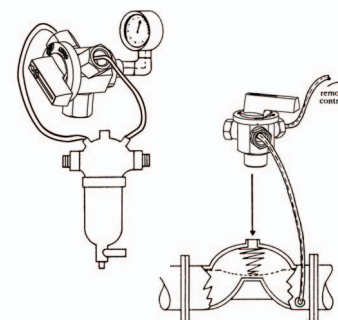
Multi- diverted control valve with shared inlet and three outlets, for use in controlled irrigation & filtration systems and for operating gate valves.

Inlet threads are manufactured according to customer's requirements with BSP and NPT threads.

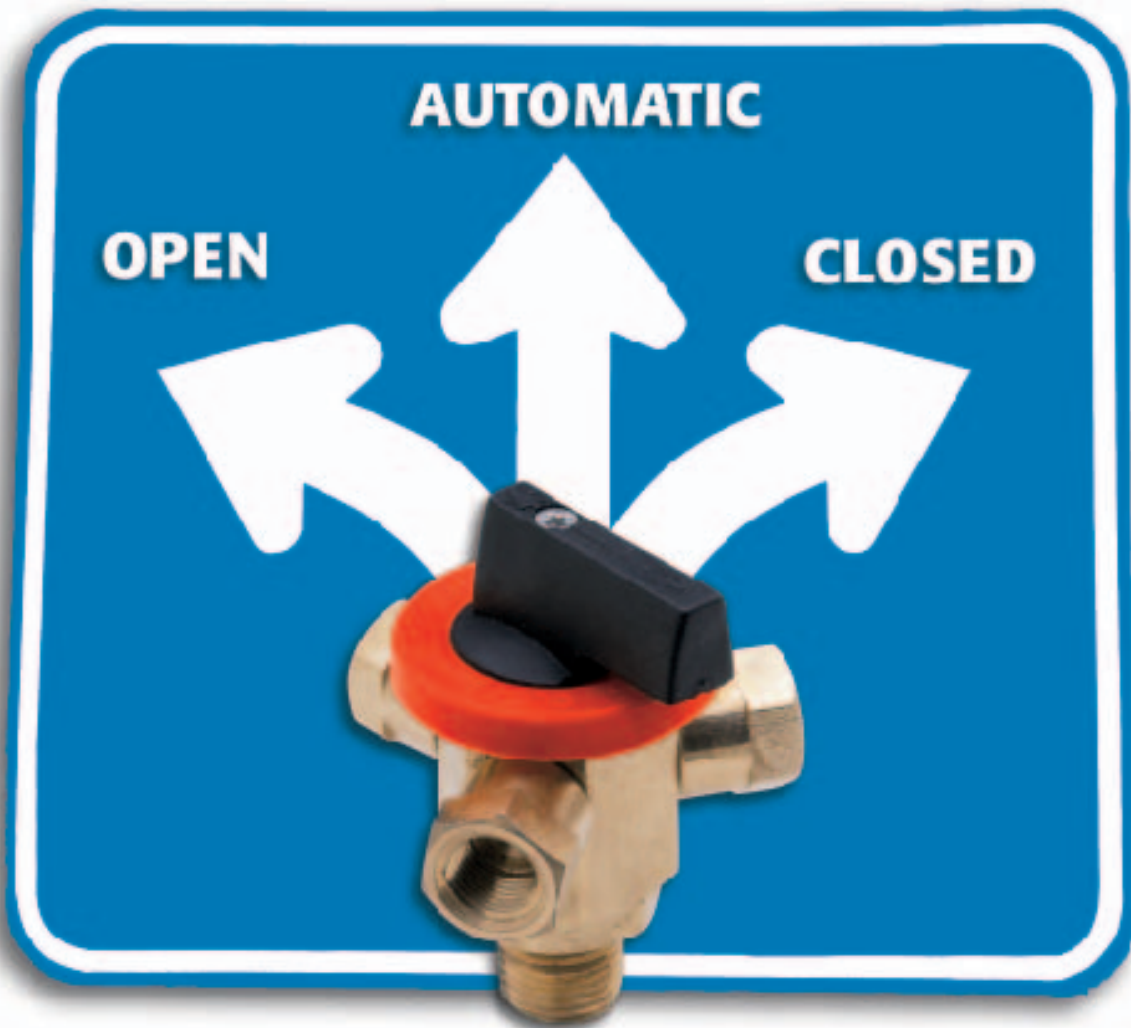
SY3, SY6

Passage size: SY. 3 3.2 mm (1/8")
SY. 6 6.0 mm (1/4")

Outlets			Inlet	Model	Catalog Number BSP	Catalog Number NPT
Auto	Closed	Open				
1/8" F	1/8" F	1/8" F	1/8" M	SY-3	1Y3A02000	1Y3A02100
1/8" F	1/8" F	1/8" F	1/8" F	SY-3	1Y3N02000	1Y3N02100
1/8" F	1/8" F	1/8" F	1/8" M	SY-3	1Y3A04000	1Y3A04100
1/8" F	1/8" F	1/8" F	1/8" F	SY-3	1Y3N04000	1Y3N04100
1/4" M	1/8" F	1/8" F	1/8" F	SY-3	1Y3N040A4	1Y3N041A4
1/8" F	1/8" F	1/8" M	1/8" F	SY-3	1Y3N040A2	1Y3N041A2
1/8" F	1/8" F	1/4" M	1/8" M	SY-3	1Y3A040A4	1Y3A041A4
1/4" F	1/4" F	1/4" F	1/4" F	SY-6	1Y6N04000	1Y6N04100
1/4" F	1/4" F	1/4" F	1/4" M	SY-6	1Y6A04000	1Y6A04100



Multi Directional Control Valves

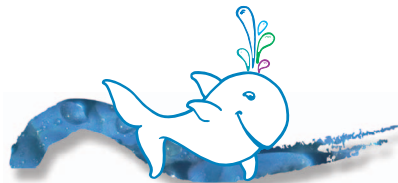


S.Y.

The Hydraulic Traffic Controllers



Ball & Special Valves



Flow control under



The S.Y. multi-directional ball valves

are the professionals' choice for hydraulic flow control.

The valves are constructed with a common port at the base of the valve body.

Any of three peripheral ports can be connected to the common port - the other ports are totally sealed. S.Y. is designed for three hydraulic control positions: OPEN, CLOSED, AUTOMATIC.

APPLICATIONS

Hydraulic valves for:

- Automatic and computerized irrigation systems for agriculture and landscape gardening.
- Filtering systems.
- Industrial systems.
- Domestic water supply systems.
- Fire fighting systems.

ADVANTAGES

- **Using S.Y. the hydraulic valve can be manually opened/closed in case of operational fault.**
- Ball valve principle.
- Competitive price.
- Only one moving part.
- Compact size.
- Easy to assemble.
- Easy viewing for operating position.
- All valves are sealed when the valve is in position between any port.
- Special large bore valve for controlling extra-large hydraulic valves (S.Y.6).
- High - quality teflon seals and chrome-nickel plated balls, resistant to all types of irrigation water.

TYPICAL USES

- A** Integration within remote control systems while retaining manual open/closed functions to all sizes of hydraulic valves. (S.Y.3/S.Y.6).
- B** Checking of filter input and output pressure (liquid and gas) using a single pressure gauge immediately indicates dirt levels inside filter. (S.Y.3).

SAGIV - Ball & Special Valves

Sagiv specializes in the development and manufacture of custom-made control valves. Contact us with your exact requirements, and we will design and produce your High Quality Hydraulic flow Controller - at a competitive price.

SAGIV - Kibbutz Mashabei Sade Israel 85510
Tel. +972-8-6565333, Fax. +972-8-6565340
E-mail: office@sagiv.co.il

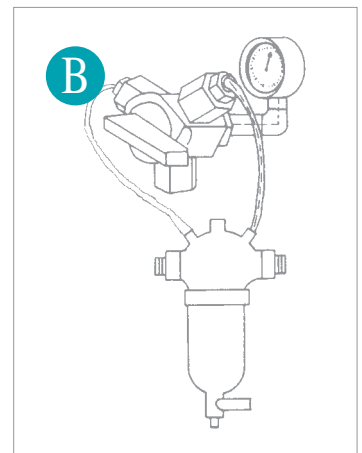
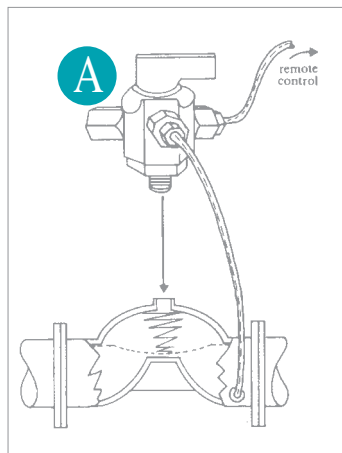
www.sagiv.co.il



S.Y.3 - Shared inlet and three outlets:
1/8", 1/4" (BSP or NPT)

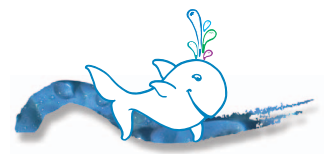


S.Y.6 - Shared inlet and three outlets:
1/4" (BSP or NPT)



sagiv

Ball & Special Valves



Flow control under